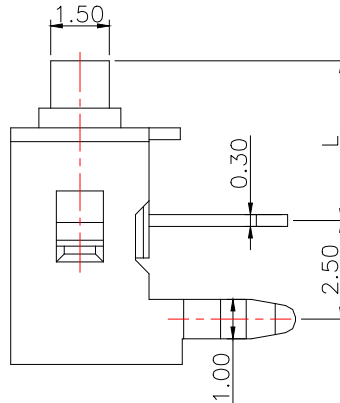
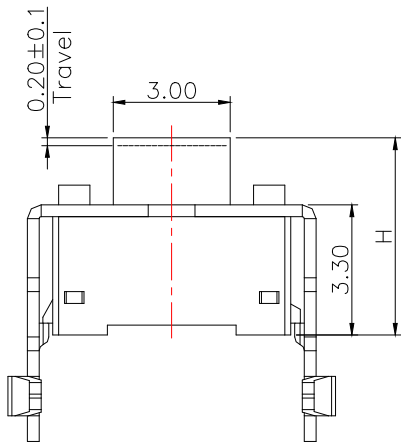


RoHS

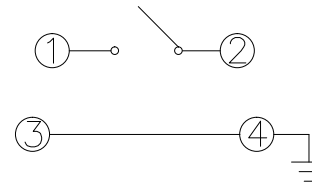


Height (高度) :

NO.1		
PART NO	H	L
A	4.3	3.35
C	5.0	4.05

Material:

Button 按钮	PPA/LCP
Cover plate 盖板	铁 (镀银)
Shrapnel 弹片	不锈钢 (复银)
Base 基座	PPA/LCP
Pin 引脚	磷铜 (镀银)



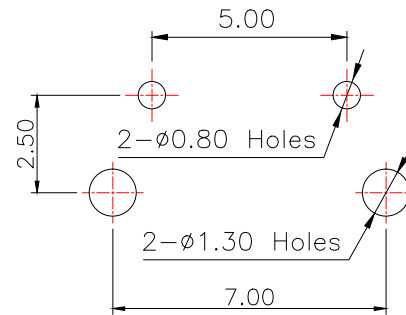
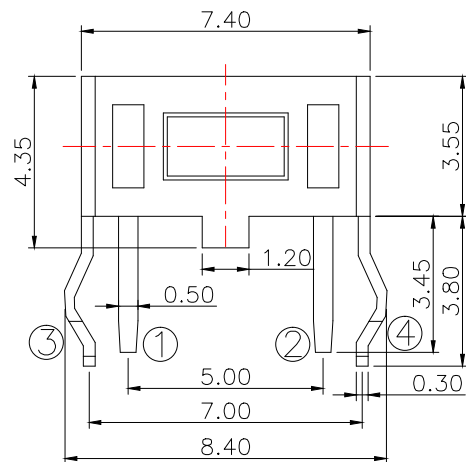
Circuit Diagram

Main technical specifications:

Rated load (额定负荷):	DC 12V 50mA
Contact impedance (接触阻抗):	100m MAX
Insulation impedance (绝缘阻抗):	100M MIN
Welding resistance temperature (耐焊温度):	250 ± 5 ° 5s
OPERATING LIFE (电气寿命):	100,000 cycles
Usage temperature (使用温度):	-25 to 85
Operating humidity (使用湿度):	85% RH
Trip (行程):	0.25 ± 0.1mm
Operating force (操作力):	1 90 ± 30gf 2 130 ± 30gf
	3 180 ± 50gf 4 250 ± 50gf
	5 350 ± 50gf 6

NO.2

public errand (公差) : ±0.2mm unit (单位) : mm



PCB Layout (Pattern Side)

LCZY ELECTRONICS(SHEN ZHEN)CO.,LTD

COPYRIGHT RESERVED,PLEASE DO NOT COPY.

PART NAME		SWITCH		DRAWING	G.L CHEN	DWG.No.	LCZY
PART NO.		K2-1101AT		CHECK	Z.LIU	REV.	A1
UNIT :	TOLERANCE OTHERWISE	UP TO 5	±0.2	ANGLE	APPROVAL	DATE	K2-09-2019
		ABOVE 5~30	±0.3				
mm		ABOVE 30	±0.5	0°±3'	SCALE	PAGE	1 OF 1
		ANGLE	±3'				

K2-1101AT- -

B

A