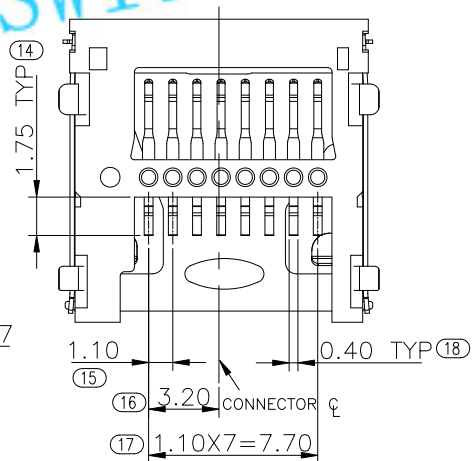
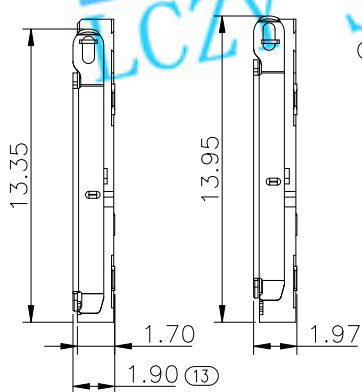


SLIDE SHELL LOCK SLIDE SHELL OPEN



ES:
ERIAL:
Insulator: High Temperature Thermoplastic,UL 94V-0.
Contact: Copper Alloy
Shell: STAINLESS

PLATING:
Contact: Plated 30u'' Ni Overall Contact Au 1U
Shell: Plated 30u'' Ni Overall
Plated 1u''Au Selective Contact Area

Electrical:
Current Rating : 1.0 A AC/DC max.
Voltage Rating : 30V AC/DC
Ambient Temperature Range :-20° C~+60° C
Storage Temperature Range :-40° C~+70° C
Ambient Humidity Range :95% R. H. Max.
Contact Resistance:100m Ω max.
Insulation Resistance:1000 Ω min./500VDC
Mating Cycles: 3000Insertions
Temperature: 260° C \pm 5°

公差 : \pm 0.2mm

龙创中业电子科技(东莞)有限公司			DATE 2014/3/27
TITLE: 产品名称 TF H1.90掀盖式		UNIT 单位 mm	DESIGNED 设计 罗正富
PART NUMBER: 零件编号 LCZY-102151482		SCALE 比例 1:1	CHECKED 核准 罗利斌
DRAWING NUMBER: 图纸编号		SHEET 页码 1/1	APPROVED 审批 张华宇

TOLERANCES UNLESS	
X. \pm 0.50	X° \pm 3'
.X \pm 0.38	.X° \pm 2'
.XX \pm 0.25	.XX° \pm 1'
.XXX \pm 0.10	.XXX° \pm 0.5'